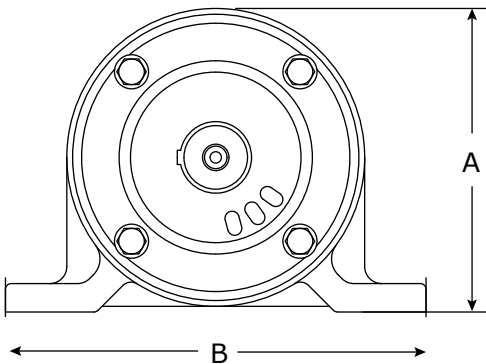
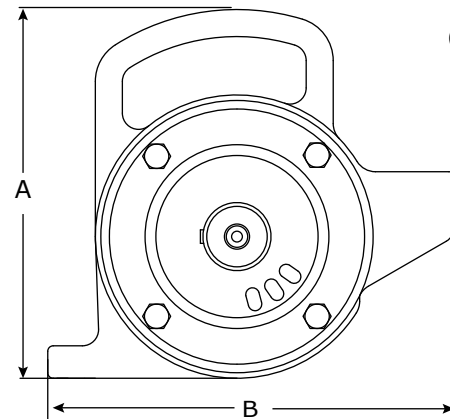
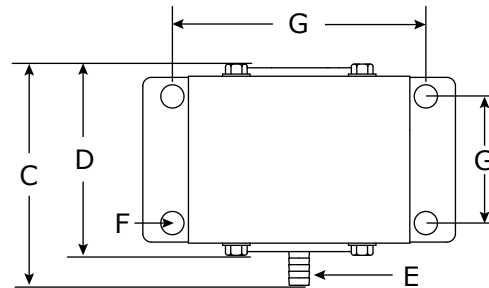


High Frequency Dual Roller Vibrator Dimensions

Vibrator Model	Weight	A	B	C	D	E	F	G
		Height	Length	Width	HSG Width	Inlet	Bolt Hole	Bolt Centers
	lb	in	in	in	in	in	in	in
	kg	mm	mm	mm	mm	mm	mm	mm
GCD-4400	34.8	6.7	9.2	7.4	5.7	3/4 ID	0.7	7.5 X 3.8
	15.8	170	234	188	145	19 ID	18	190 X 95
GCD-5000	35.2	6.7	9.2	7.4	5.7	3/4 ID	0.7	7.5 X 3.8
	16.0	170	234	188	145	19 ID	18	190 X 95
GCD-5500	35.4	6.7	9.2	7.4	5.7	3/4 ID	0.7	7.5 X 3.8
	16.1	170	234	188	145	19 ID	18	190 X 95
GCD-6500	38.7	6.7	9.2	7.4	5.7	3/4 ID	0.7	7.5 X 3.8
	17.6	170	234	188	145	19 ID	18	190 X 95
GCL-4400	32.8	8.5	9.4	7.3	5.5	3/4 ID	N/A	Fits GCL Bracket
	14.9	216	239	185	140	19 ID		
GCL-5000	33.2	8.5	9.4	7.3	5.5	3/4 ID	N/A	Fits GCL Bracket
	15.1	216	239	185	140	19 ID		
GCL-5500	33.4	8.5	9.4	7.3	5.5	3/4 ID	N/A	Fits GCL Bracket
	15.1	216	239	185	140	19 ID		
GCL-6500	36.8	8.5	9.4	7.3	5.5	3/4 ID	N/A	Fits GCL Bracket
	16.7	216	239	185	140	19 ID		



GCD



GCL

