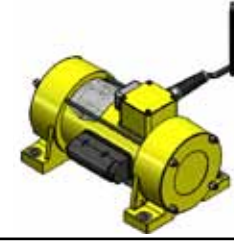




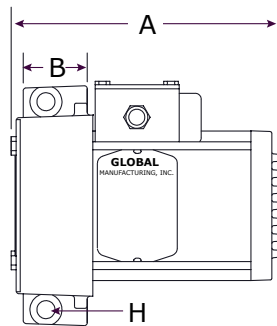
GlobalManufacturing.com

Global Manufacturing, Inc®
 1801 East 22nd Street
 Little Rock, AR 72206
 501.374.7416 TEL
 501.376.7147 FAX
 800.551.3569 TOLL FREE USA & CANADA

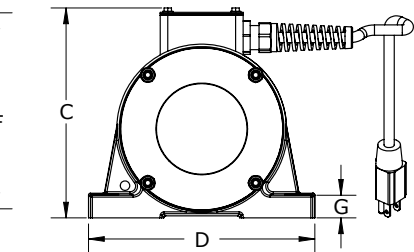
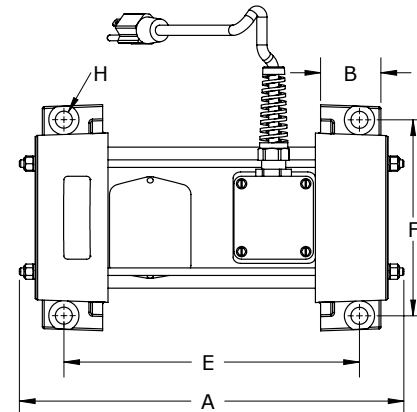
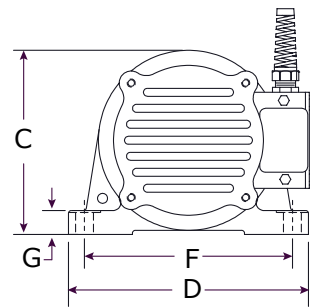


QT Series Vibrator Dimensions - Discontinued Models

Vibrator Models	Weight	A	B	C	D	E	F	G	H
		Total Length	Foot Width	Total Height	Total Width	Bolt Hole Separation Length	Bolt Hole Separation Width	Foot Thickness	Bolt Hole Size
	lb	in	in	in	in	in	in	in	in
kg	mm	mm	mm	mm	mm	mm	mm	mm	mm
QT2-175	15.0	8.57	2.00	5.76	7.50	N/A	6.50	0.75	.56
	6.8	218	51	146	191		165	19	14
QT2-250	15.0	8.57	2.00	5.76	7.50	N/A	6.50	0.75	.56
	6.8	218	51	146	191		165	19	14
QT2-500	16.0	8.57	2.00	5.76	7.50	N/A	6.50	0.75	.56
	7.3	218	51	146	191		165	19	14
QT2-800	26.0	12.75	2.00	5.76	7.50	9.80	6.50	0.75	.56
	11.8	324	51	146	191	249	165	19	14



QT2-175-250-500



QT2-800