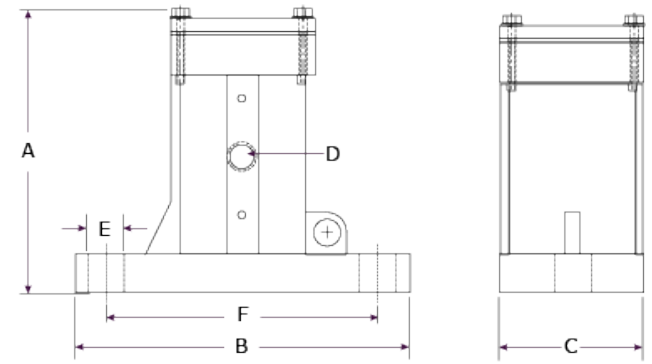
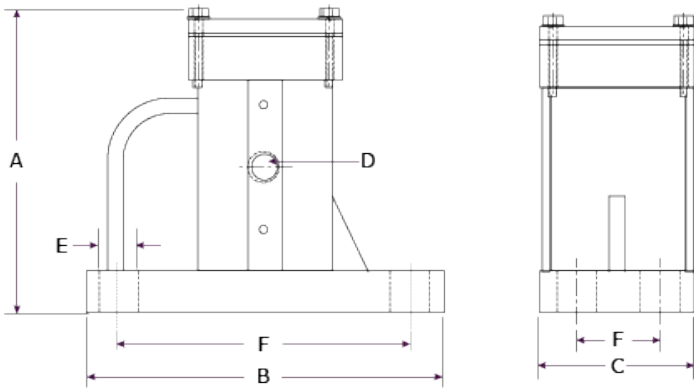


P1, P1 1/4, TMB 1 1/4

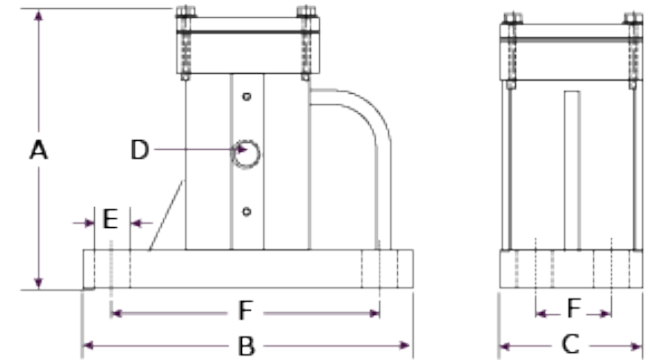
Global Manufacturing
P-Series Piston Vibrator
Dimensional Drawings



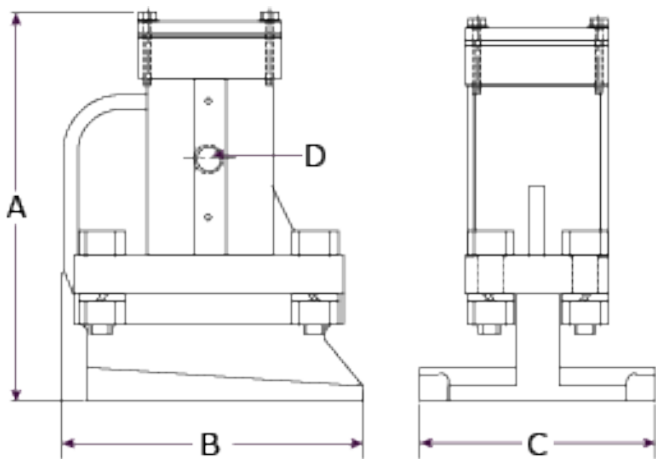
P1 5/8, P2, TMB 2



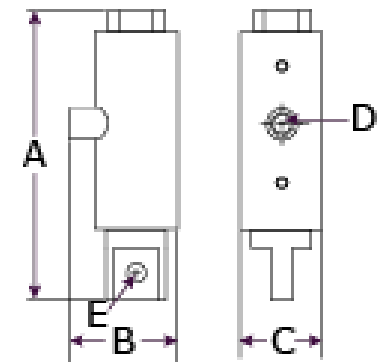
P3, TMB 3



P4, TMB 4



PRR-1300 - Railcar Piston



MP - Matchplate Piston